

Installation

① Closer Body Installation

1. Cut the door according to the door preparation template. Drill M5 mounting hole on the metal door or metal frame. On a wood door or wood frame, drill 2.5mm diameter holes for wood screws as shown in the diagram.
2. Attach the closer securely to the door using the screws provided.

② Track Installation

1. Install the Hold Open set, Slider and Track as shown in the diagram
2. Insert them into the mortise, ensuring that the Hold Open Set is positioned away from the hinge. Secure the components with the screws provided.

③ Arm Installation 1

RH, Push Side LH, Push Side

Closer Opening Opening Closer

For LH mounting, attach arm to closer with "R" upwards (For RH mounting, attach arm to closer with "L" upwards) as shown below then fasten with arm shaft screw.

Preload approx. 40°

Regulate 2 laps to fully close the main speed valve

④ Arm Installation 2

Detach the Arm from closer after pre-loading

Attach the Arm to Closer again at the shown angle. fasten the arm again.

Parts List

| Part | Qty. |
|---------------|------|
| Closer Body | 1 |
| Arm | 1 |
| Track | 1 |
| Accessory Kit | 1 |
| Allen Wrench | 1 |

Closer Regulation

120°-15°

Adjust Main speed to 3-5s (from 120°-15°)

| EN2 | EN3 | EN4 |
|------------|------------|------------|
| 40Kg | 60Kg | 85Kg |
| 850mm | 950mm | 1100mm |
| Max. Width | Max. Width | Max. Width |

15°-0° (Adjust latch speed to 1-2s)

Back Check Regulation

BC Increase

BC Decrease

65° -120°

BC Range: 65°-120°

⑤ Connecting & Regulating

Connect the Arm and Slider, then fasten with screws provided.

Adjustment Guide

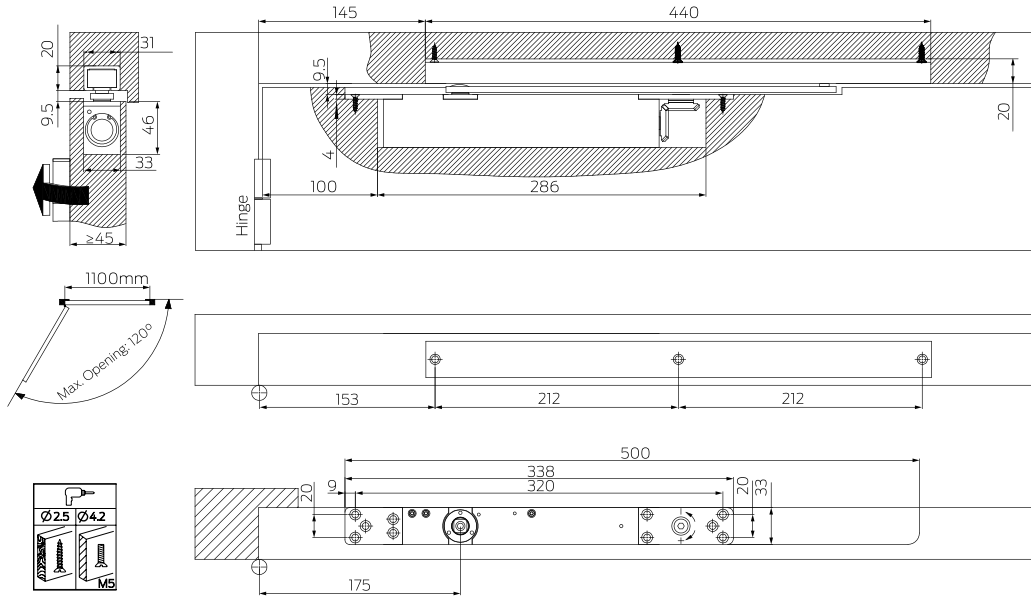
| EN2 | EN3 | EN4 |
|--------|-------|---------|
| -5Laps | 0Laps | +4 Laps |

Increase

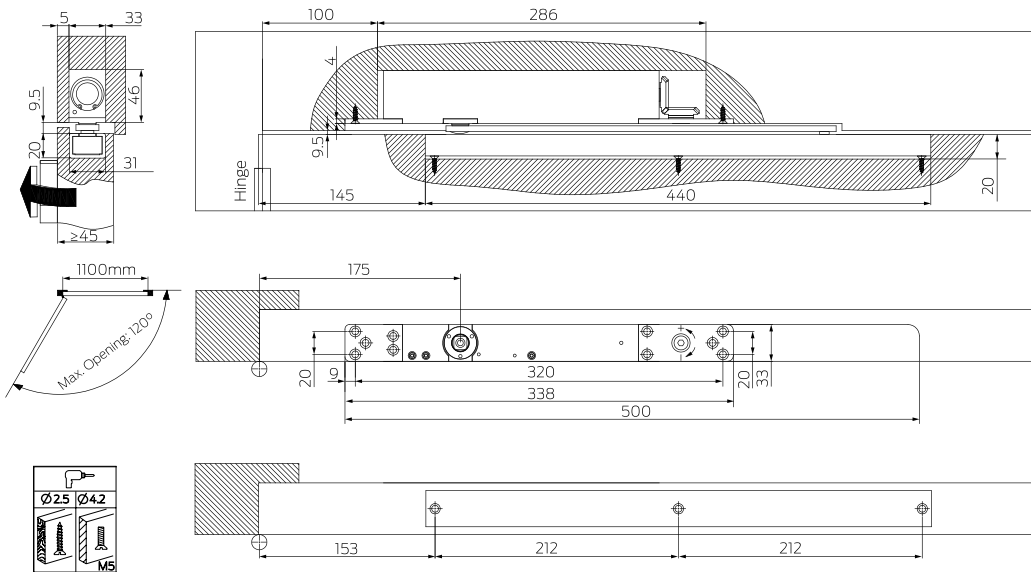
Decrease



Standard Installation



Top Jamb



⚠ CAUTION ⚠

- (1) DO NOT PUSH/PULL THE DOOR WHEN THE DOOR CLOSER IS OPERATING
- (2) IMPROPER INSTALLATION OR REGULATING OF THE DOOR CLOSER MAY RESULT IN PERSONAL INJURIES OR PROPERTY DAMAGE. FOLLOW ALL INSTRUCTIONS CLOSELY. FOR ANY INQUIRIES, PLEASE CONTACT ALLEGION CUSTOMER SERVICE TEAM FOR ASSISTANCE.