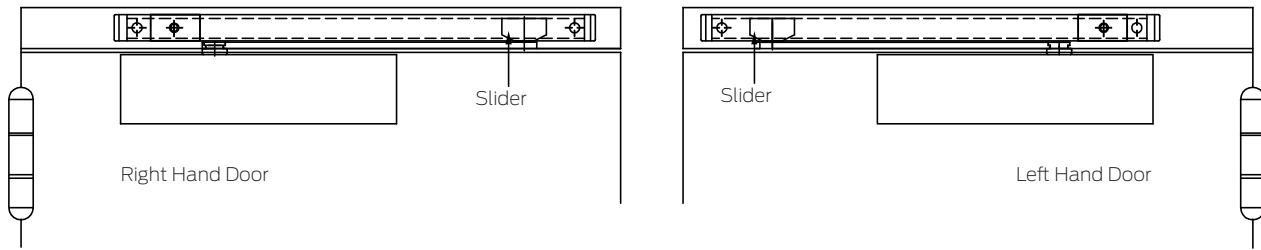


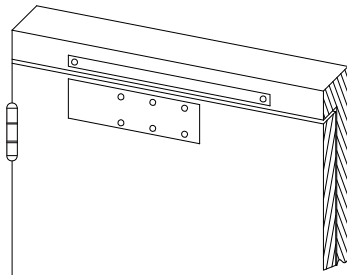
1. Determining the handling of your door



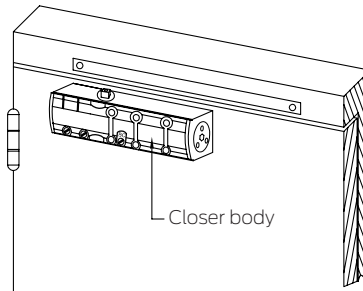
2. Mark out drilling holes on door and frame face

Mark 4 holes on the door for mounting of closer.

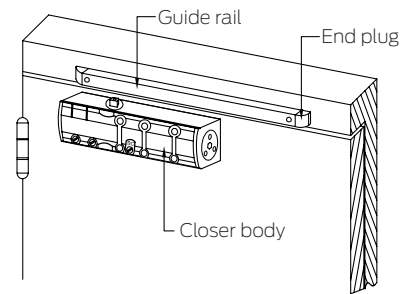
Mark 2 holes on the frame face for mounting of guide rail.



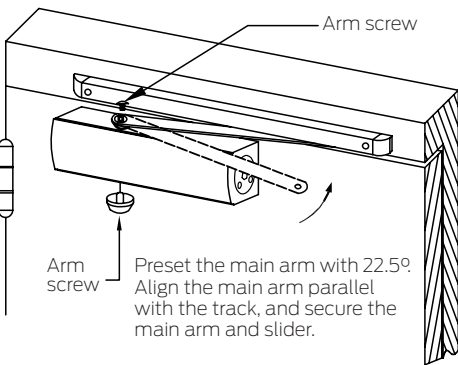
3. Install closer body on the door leaf



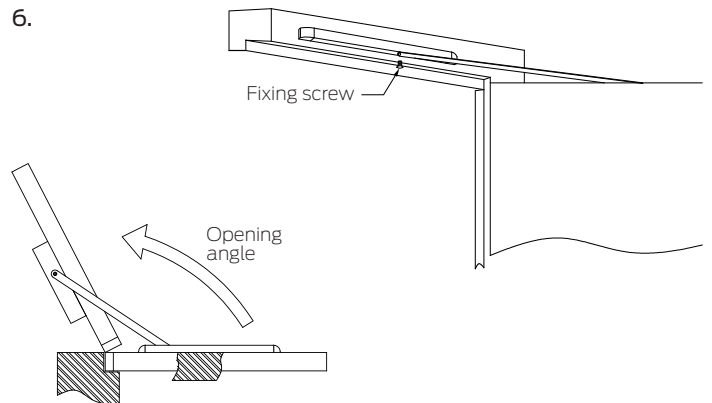
4. Mount the guide rail on the door frame, and screw it tightly after inserting the slider and end plugs.



5. Attach the main arm to spindle and screw it tightly. Snap pinion cap over spindle on the bottom of closer body.



6.



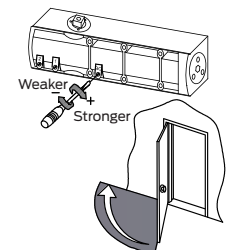
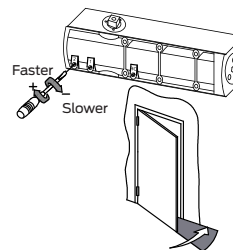
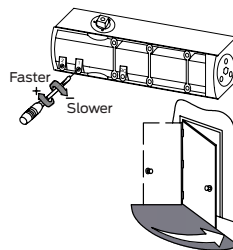
7. Adjust closing speed, latching speed and backcheck

| Model no. | Power size | Door weight |
|-----------|------------|-------------|
| 1310T | Size 3 | 40-65kg |

Note: Standard with backcheck function.

Caution:

Do not remove the valves from the closer, as this will result in leakage.



• Regulate closing speed • Regulate latching speed • Backcheck adjustment

Attention:

- The door closer will close automatically; do not apply extra force to close it, as this may cause damage.
- Please install the door closer in accordance with the steps and instructions provided in this installation guide.



ALLEGION™

Allegion (SEA) Pte Ltd
Phone (65) 6227 7318

Email sea.info@allegion.com
www.allegion.com.sg

Allegion Hong Kong Limited
Phone (852) 2235-0600

Allegion (Thailand) Limited
Phone (66) 2051 4141

Allegion India Private Limited
Phone (91) 080 66798700

Allegion (Korea) Inc.
Phone (82) 70 8287 1353

