

Briton

SL3000 Series

SMALL CASE MORTISE
LOCKS



The SL3000 series of small case mortise locks is a versatile and cost-effective solution for mortise locking. It offers a range of functions that can be tailored to different door types and configurations, including restrooms, locker rooms, and store room doors.

Features

- **Versatile** - Offers different functions for various applications, including mortise deadlock and mortise passage.
- **Convenience** - Provides ease of use with a variety of lever handles, knobs, and thumbturns.
- **Durability** - Constructed with stainless steel materials, ensuring long-lasting properties and suitability for regular use.

Types of mortise locks

1. SL3010 Mortise Deadlock

Mortise deadlock is suitable for most interior doors that does not need to be latch. e.g. public toilet. The deadbolt is thrown or retracted from one or both sides.

2. SL3040 Mortise Passage

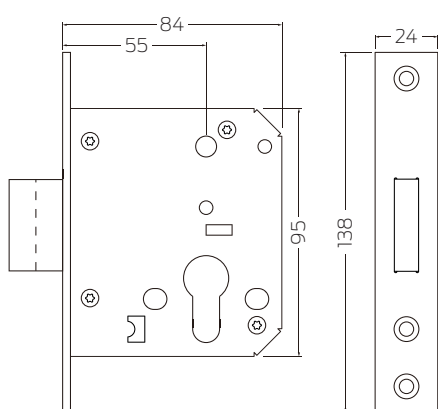
Application mainly for staircases or doors that do not need to have cylinder to lock the door. The latchbolt is activate by the lever handle. The door remains unlocked unless there is an additional, external device uses (such as a electromagnetic lock).

Technical specifications

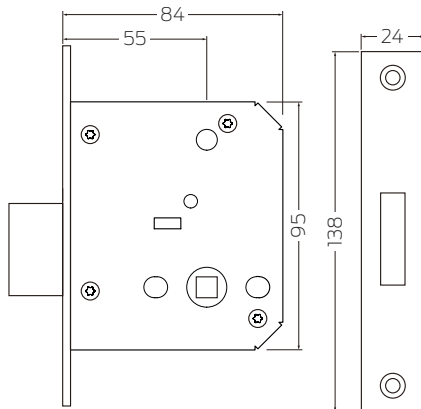
			
Model	SL3010	SL3011	SL3040
Product Name	Mortise Deadlock - deadbolt is thrown or retracted by rotating the cylinder using a key	Mortise Deadlock - deadbolt is thrown or retracted by turning the thumbturn	Mortise Passage - Latch-bolt is engaged or disengaged by operating the lever handle
Durability of Deadbolt	Tested internally with 100,000 cycles		NA
Durability of Latchbolt	NA		Tested internally with 200,000 cycles
Deadbolt	Double throw 20.5mm	Single throw 20.5mm	NA
Latchbolt	NA		12mm
Finishes	Stainless steel		
Backset	55mm		
Dimension (mm)	95 (H) / 84 (W) / 15 (D)	95 (H) / 84 (W) / 15 (D)	86 (H) / 84 (W) / 15 (D)

Dimensions

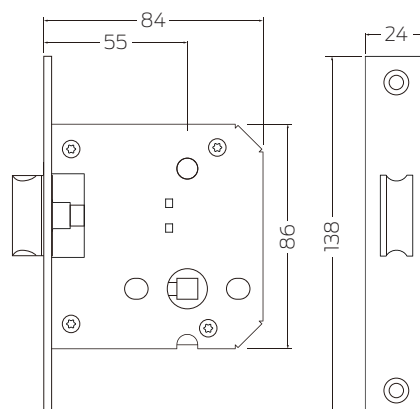
SL3010



SL3011



SL3040



All measurements are in mm.