



DH507 Series

MAGNETIC HOLDER WITH RELEASE BUTTON



The Schlage DH507 series is a magnetic holder equipped with a release button, making it the perfect solution for enhancing safety, convenience, and efficiency in any environment. Whether you need to keep doors open for easy access or ensure quick closure in emergencies, this versatile and reliable device has you covered.

The DH507 series is particularly useful in various applications, including fire escape doors. It ensures that doors remain open for easy passage during normal conditions but can be quickly closed to prevent the spread of fire and smoke.

Additionally, it is ideal for use in commercial buildings, hospitals, and schools. It helps control traffic flow while facilitating easy movement and access, all while maintaining safety standards.

Features

- **Wall-mounted installation** - Provides a secure and stable mounting point for the magnetic holder, while also helping to save space.
- **Strong and reliable magnetic hold**
 - Engineered with high-quality materials, this magnetic holder provides a strong and consistent hold to keep doors open as needed, ensuring long-lasting performance and reliability.
- **Equipped with an intuitive release button** - In the event of a fire or emergency, it facilitates quick release, ensuring safety and compliance with fire safety regulations. Additionally, it allows users to easily disengage the magnetic hold, enabling the door to close when needed.
- **Adjustable armature plate** - Enables easy alignment and installation on various door types and sizes, ensuring optimal magnetic contact and holding force.
- **Versatile** - Designed to fit various door types and profiles, including fire escape doors in large-scale buildings.

Warranties

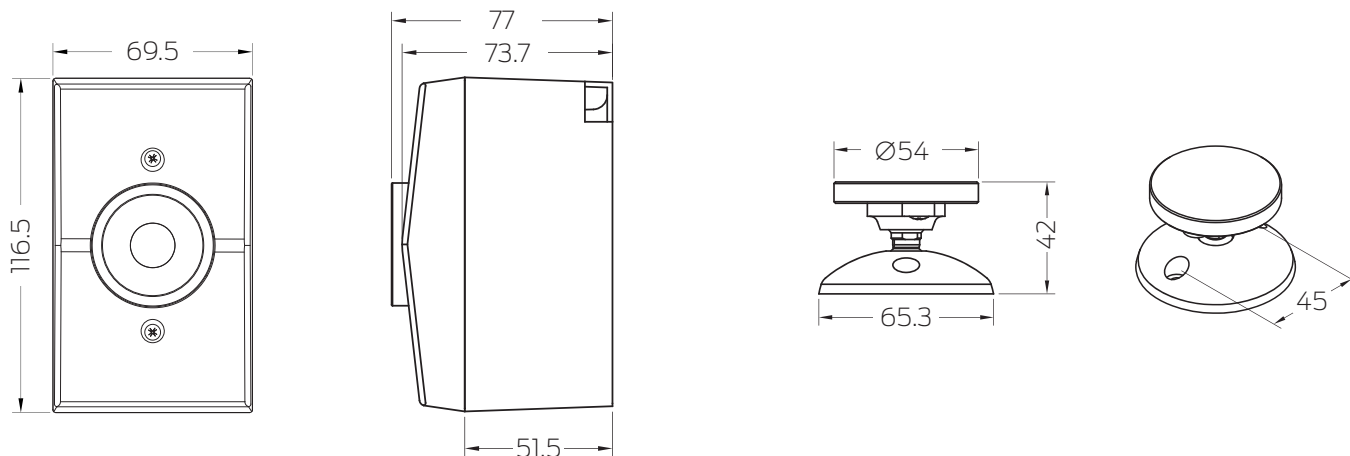
Mechanical	International Warranty*
------------	-------------------------

*Please refer to the International Warranty agreement.

Technical specifications

Model	DH507
Installation	Wall-mounted
Holding Force	30 - 50 lbs
Voltage Spike Suppressor	Built-in
Power Supply	12V AC/DC : 52/60mA (Optional) 24V AC/DC : 27/31mA 120VAC : 24mA
Dimensions (mm)	Magnet assembly: 116.5(L) / 69.5(W) / 77(D) Strike plate: 42(L) / 65.3(W) / Ø54(D)

Dimensions



All measurements are in mm.