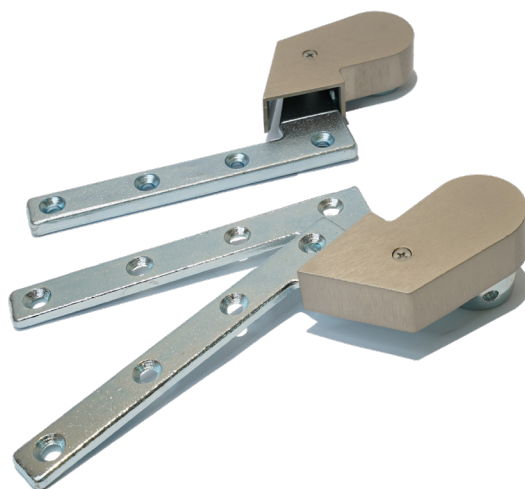




SAP-300

ACCESSORIES - SINGLE
ACTION PIVOT SET



SAP-300 single action pivot set is designed for single-direction swing doors. It is specifically designed to work seamlessly with all CISA series floor springs and pivots, making installation easy and efficient for doors of any function or material.

The SAP-300 includes a reversible set of SAP-300TP Top Pivot and SAP-300BS Bottom Strap, capable of supporting doors weighing up to 250kg.

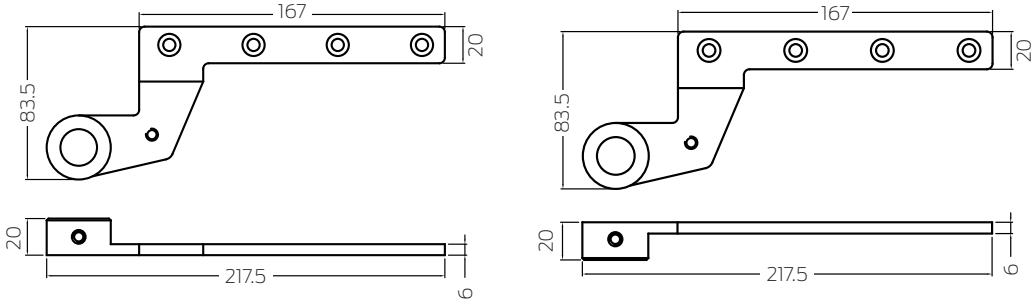
Warranties

Mechanical	International Warranty*
------------	-------------------------

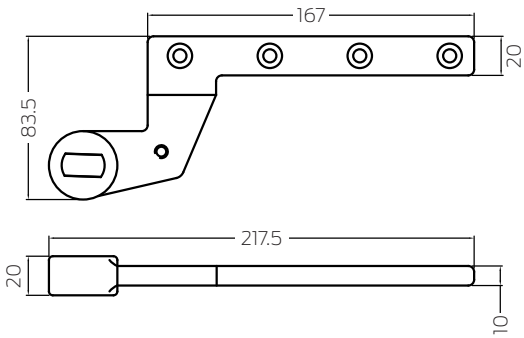
*Please refer to the International Warranty agreement.

Dimensions

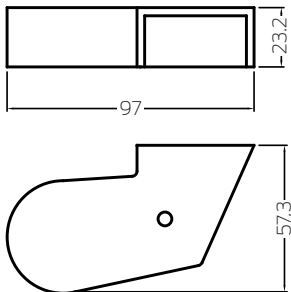
SAP-300TP Top Pivot



SAP-300BS Bottom Strap



Cover Cap



All measurements are in mm.