



F5003/4 Series

FLOOR SPRINGS



CISA F5003/4 floor springs are suitable for a wide range of applications, including shop fronts, malls, internal doors, and office buildings. These floor springs undergo a rigorous testing process of up to 500,000 cycles, ensuring their reliability and durability for any application.

Features

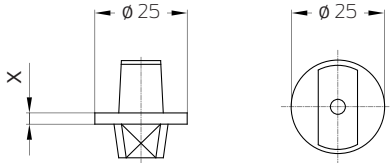
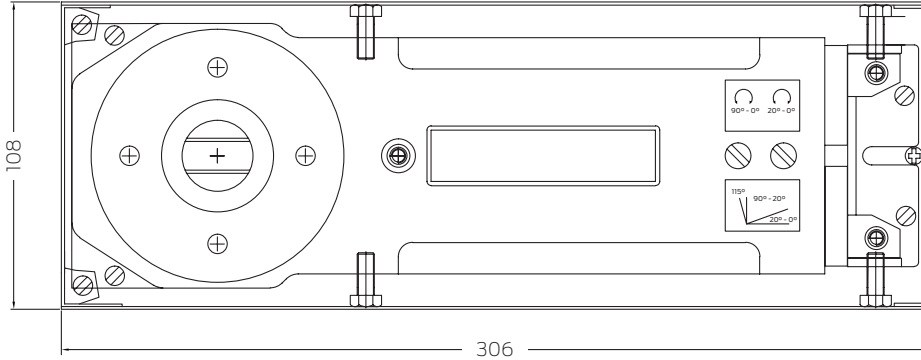
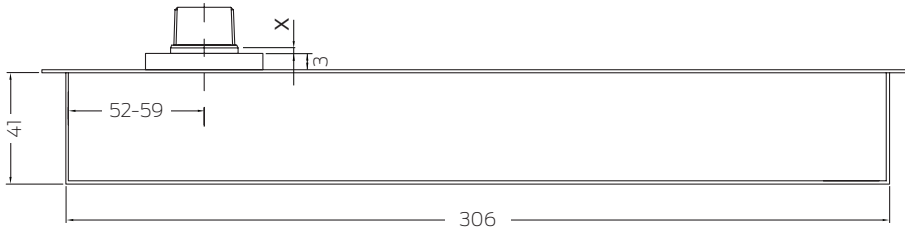
- **Exceptional quality** - Made of high-grade cast-iron body
- Fixed closing force of 3 or 4, depending on model
- **Durable** - Robust design handles up to 150 kg doors
- Adjustable closing and latching speed
- **Optional hold** - Open at 90°
- **High efficiency mechanism** - Offers maximum user convenience
- **Available in fixed and interchangeable spindles** - Fits any floor covering or threshold application.
- Complies to EN1154:1996
- Tested to 500,000 cycles

Warranties

Mechanical	International Warranty*
Electronic	International Warranty*

*Please refer to the International Warranty agreement.

Dimensions



Extended Spindle

X	3	5 (Default)	10	15	20	25	30	35	40	45	50

All measurements are in mm.

Technical specifications

Model	F5003 EN3	F5004 EN4
Closing Force acc to EN1154	EN 3	EN 4
Adjustable Closing Force	No	No
Max Door Width (mm)	950	1100
Max Door Weight (kg)	150	150
Adjustable Closing Speed	90° - 15°	90° - 15°
Adjustable Latching Speed	15° - 0°	15° - 0°
Hold Open	Optional 90°	Optional 90°
Max Opening Angle	130°	130°
Back Check	-	-
Delay Action	-	-
Handling	Non-Handed	Non-Handed
Dimension (mm)	306 (L) / 108 (W) / 41 (H)	306 (L) / 108 (W) / 41 (H)
Extended Spindle (mm) - X	3 / 5 / 10 / 15 / 20 / 25 / 30 / 35 / 40 / 45 / 50	3 / 5 / 10 / 15 / 20 / 25 / 30 / 35 / 40 / 45 / 50
Fixed Spindle (mm) - X	4.22	
Compliance	EN1154:1996	EN1154:1996