



# D7200 Series

## CAM ACTION DOOR CLOSER



The D7200 series cam action door closers is meticulously manufactured with precision and is designed as a compact, overhead, surface-fixed unit. It provides outstanding ease of use by minimizing resistance when initiating the opening of the door. This series fully meets the requirements for fire and smoke control, while also offering the smooth operation necessary for accessibility purposes.

In contrast to a conventional rack and pinion door closer used in slide channel applications, the CISA Easy Opening Series of door closers operates on a linear cam-action principle, which offers exceptional efficiency. This unique mechanism ensures that the initial opening force decreases rapidly as the door opens. As a result, individuals such as children and the elderly can easily overcome the closing power without encountering any difficulties.

## Features

- **Highly efficient** - High-performing cam action technology that delivers reliable closing power, making it suitable for fire doors
- **Enhanced reliability and performance** - Equipped with bearings that enhance the load-bearing capacity, resulting in efficient and reliable operation
- **FAST PowerAdjust dial** - provides installers with the ability to view the current power setting and offers easy configuration of the spring power according to specific door conditions
- **Cast iron door closer** is designed with higher graphite content which serves to lubricate the inner components to ensure smooth operation of its internal mechanisms
- **Superior strength and reliability** - Coil springs are manufactured with silicon chrome alloy steel
- **Reliable performance under a wide range of temperatures** - Utilizes high-quality hydraulic fluid that includes built-in temperature compensation which ensures reliable performance under the temperature of -15 °C to +40 °C
- **Smoother operation of the opening and closing cycle** - Utilizes co-ordinated track design with concealed fixings
- **Complies with the highest international standards** - Ensuring top-notch quality and performance
- **Highly durable** - Tested to 1,000,000 cycles

### Warranties

Mechanical	International Warranty*
------------	-------------------------

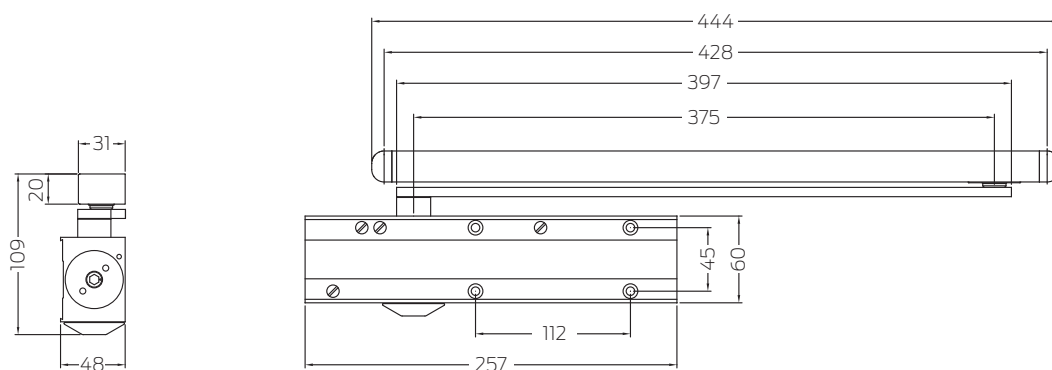
\*Please refer to the International Warranty agreement.

# Technical specifications

Model	D7200	D7210
Handing	Pull	Push
Closing Force according to EN1154	EN 2-5	
Adjustable Closing Force	Yes	
Max. Door Width	1250mm	
Max. Door Weight	120kg	
Adjustable Closing Speed	180° - 15°	
Adjustable Latching Speed	15° - 0°	
Arm Type	Guide rail	
Hold Open	Yes (optional)	
Max. Opening Angle (Hinge Side)	180°	
Max. Opening Angle (Opp. Hinge Side)	120°	
Max. Opening Angle (Others)	-	
Back Check	Yes	
Delay Action	Yes	
Compliance	EN1154:1996	

## Dimensions

D7200 / D7210



All measurements are in mm.