



D6200 Series

CAM ACTION DOOR CLOSER



The D6200 series of cam action door closers operates with the same efficiency as the D7200 series, offering exceptional ease of use by reducing resistance when initiating the opening of the door. The D6200 series is designed as a simplified version of the D7200 series, and it is available with a radiused slide-in trim plate.

In contrast to a conventional rack and pinion door closer used in slide channel applications, the CISA Easy Opening Series of door closers operates on a linear cam-action principle, which offers exceptional efficiency. This unique mechanism ensures that the initial opening force decreases rapidly as the door opens. As a result, individuals such as children and the elderly can easily overcome the closing power without encountering any difficulties.

Features

- **Highly efficient** - High-performing cam action technology that delivers reliable closing power, making it suitable for fire doors
- **Enhanced reliability and performance** - Equipped with bearings that enhance the load-bearing capacity, resulting in efficient and reliable operation
- Aluminium extruded door closer body
- **Sleek and streamlined aesthetic** - A radiused slide in cover and spindle cap are incorporated to conceal the fixings and adjustment screws, providing a cleaner and more aesthetically pleasing appearance
- **Reliable performance under a wide range of temperatures** - Utilizes high-quality hydraulic fluid that includes built-in temperature compensation which ensures reliable performance under the temperature of -15 °C to +40 °C
- **Smoother operation of the opening and closing cycle** - Utilizes co-ordinated track design with concealed fixings
- **Complies with the highest international standards** - Ensuring top-notch quality and performance
- **Highly durable** - Tested to 1,000,000 cycles

Warranties

Mechanical	International Warranty*
------------	-------------------------

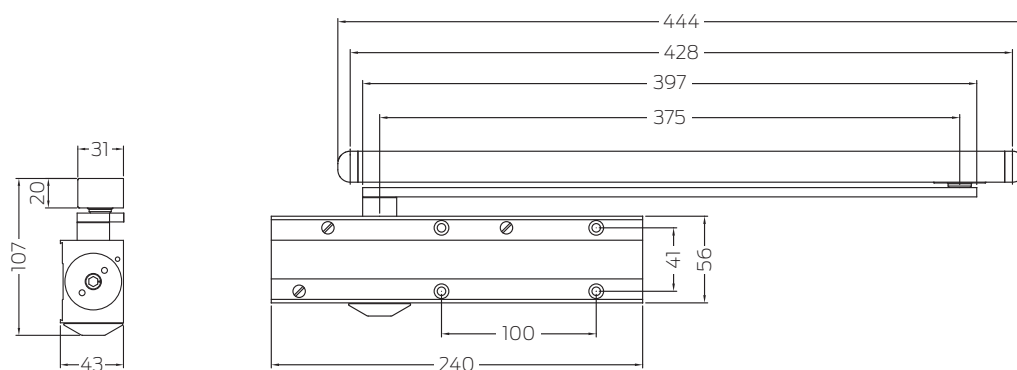
*Please refer to the International Warranty agreement.

Technical specifications

Model	D6200	D6210
Handing	Pull	Push
Closing Force according to EN1154	EN 2-4	
Adjustable Closing Force	Yes	
Max. Door Width	1100mm	
Max. Door Weight	80kg	
Adjustable Closing Speed	180° - 15°	
Adjustable Latching Speed	15° - 0°	
Arm Type	Guide rail	
Hold Open	Yes (optional)	
Max. Opening Angle (Hinge Side)	180°	
Max. Opening Angle (Opp. Hinge Side)	120°	
Max. Opening Angle (Others)	-	
Back Check	Yes	
Delay Action	-	
Compliance	EN1154:1996	

Dimensions

D6200 / D6210



All measurements are in mm.