



C1610 Series

HEAVY DUTY DOOR CLOSER



The C1610 series door closers are specifically engineered to deliver efficient and exceptional performance. They are designed to meet the installation requirements of various door types, ranging from standard doors to those with high traffic.

Features

- **Sleek design** - Seamlessly complements various door materials and profiles
- **Flexible** - Functionally versatile and suitable for a wide range of door types
- **Quick and easy to install**
- **Heavy duty** - Constructed using high-quality materials and feature precise engineering, ensuring their longevity and reliability
- **Complies with the highest international standards** - Ensuring top-notch quality and performance
- **Highly durable** - Tested to 1,000,000 cycles

Warranties

Mechanical	International Warranty*
------------	-------------------------

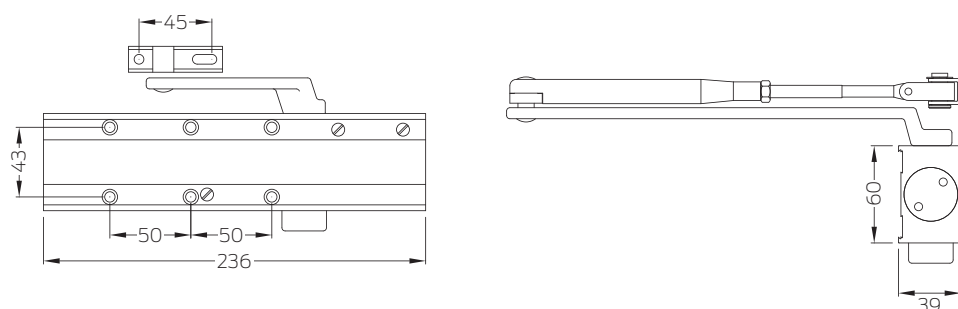
*Please refer to the International Warranty agreement.

Technical specifications

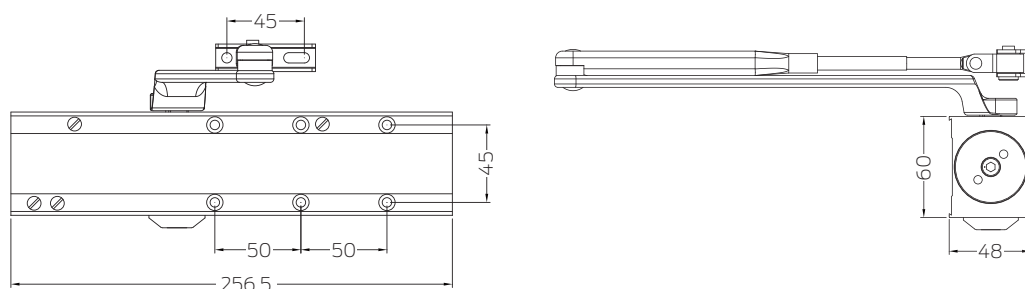
Model	C1610.03	C1610.05
Closing Force according to EN1154	EN 2-4	EN 2-6
Max. Door Width	1100mm	1400mm
Max. Door Weight	80kg	120kg
Back Check	-	Yes
Adjustable Closing Speed	180° - 15°	
Adjustable Latching Speed	15° - 0°	
Arm Type	Standard arm	
Hold Open	Yes (optional)	
Max. Opening Angle (Hinge Side)	180°	
Max. Opening Angle (Opp. Hinge Side)	130°	
Max. Opening Angle (Others)	-	
Delay Action	-	
Adjustable Closing Force	Yes	
Handing	Non-handed	
Compliance	EN1154:1996	

Dimensions

C1610.03



C1610.05



All measurements are in mm.