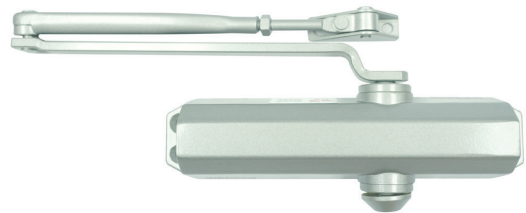


Briton

133 EXPOSED DOOR CLOSER



The Briton 133 exposed door closer is designed to be compatible with door panels measuring up to 950mm. It is available in a fixed size of EN3 and EN4, which can be adjusted by positioning. This closer has undergone extensive testing, with a durability rating of 500,000 cycles. It is well-suited for various applications, including staircases, risers, and residential doors.

Features

- Fixed size EN3/4
- Suitable for door widths up to 950mm
- Maximum door weight tested up to 80kg
- Cost effective solution for a wide range of applications
- Durable - Made of die cast aluminium body
- Rack and pinion
- Vandalism-resistant
- Adjustable closing and latching speed
- Complies to EN1154:1996, SS332:2018
- Tested to 500,000 cycles

Warranties

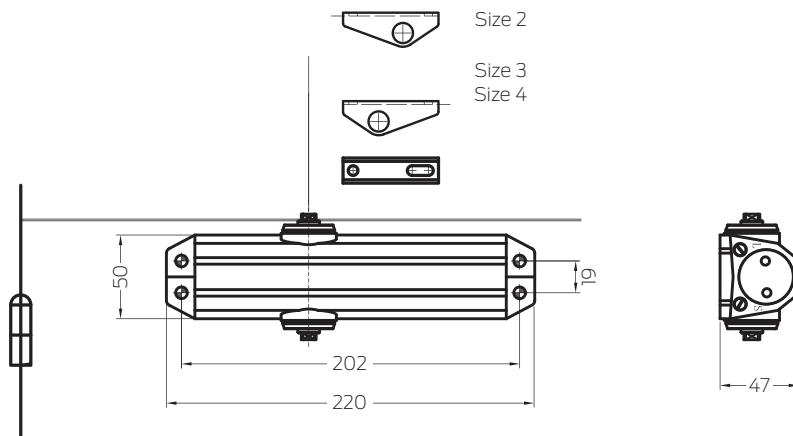
Mechanical	International Warranty*
------------	-------------------------

*Please refer to the International Warranty agreement.

Technical specifications

Model	133
Closing Force according to EN1154	EN 3/4
Adjustable Closing Force	No
Max. Door Width	1100mm
Max. Door Weight	80kg
Adjustable Closing Speed	180° - 15°
Adjustable Latching Speed	15° - 0°
Arm Type	Standard arm
Hold Open	Yes (optional)
Max. Opening Angle (Hinge Side)	180°
Max. Opening Angle (Opp Hinge Side)	160°
Max. Opening Angle (Hinge Side)	-
Back Check	Yes
Delay Action	-
Handing	Non-Handed
Compliance	EN1154:1996

Dimensions



All measurements are in mm.